

**AXOR Universal Softsquare
Toothbrush Tumbler**

Finishes : Part no. : **42834000**



Features

- Wall-mounted
- Adaptor set #42870XXX must be used when installing on a rail
- Glass
- Metal holder
- With mounting material
- Concealed fastening
- Diameter of drilled hole: 6 mm

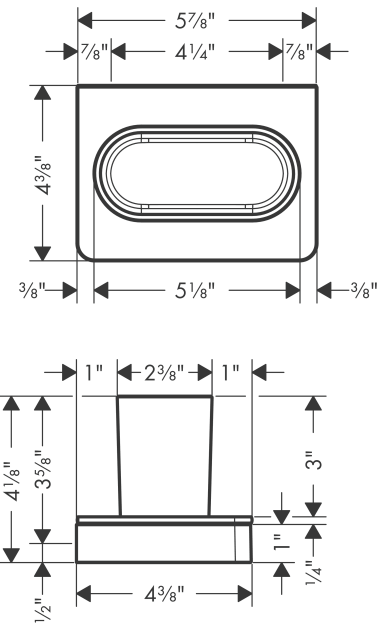
Item details

List Price \$ 348.00

Product image



Scale drawing

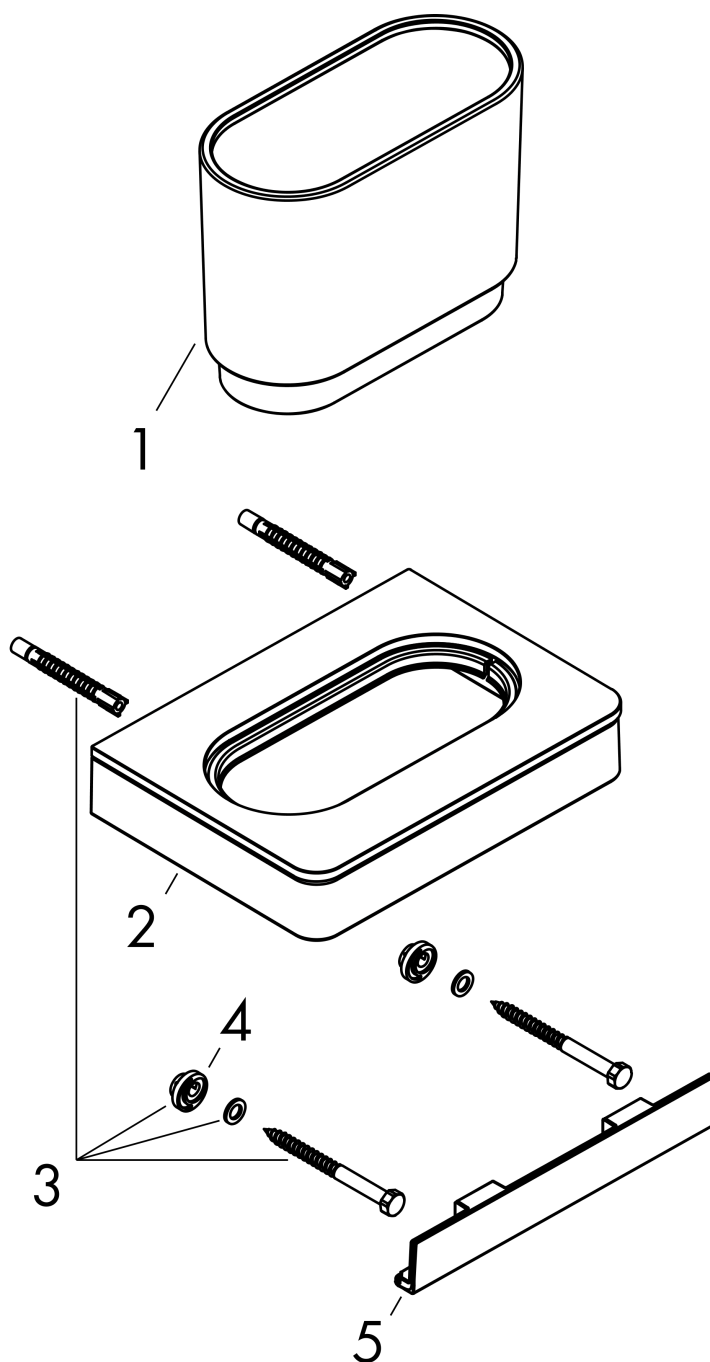


**AXOR Universal Softsquare
Toothbrush Tumbler**
Finishes : Part no. : 42834000



Exploded drawing

Year of production: >11/14



**AXOR Universal Softsquare
Toothbrush Tumbler**

Finishes : Part no. : **42834000**



Spare parts list

Year of production: >11/14

Pos.		Part no.	Price	PU
1	tumbler on its own	92436000	-	1
2	support element	92458000	-	1
3	mounting set	92841000	-	1
4	excentric socket	97604000	-	1
5	cover	92427000	-	1
a	set of adapters	42870000	-	1